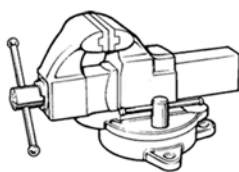


PDQ INSTALLATION INSTRUCTIONS

TOOLS NEEDED:



Vise Block



Vise



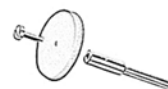
File



Tape



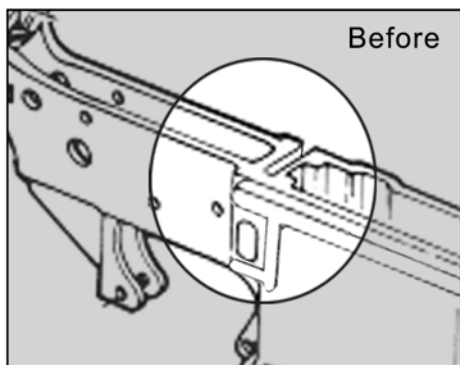
Dremel



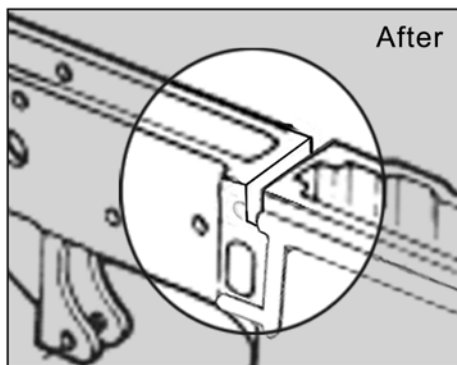
#407 Sanding Drum
#425 Emery Impregnated
Wheel

PLEASE READ BEFORE BEGINNING INSTALLATION.

Installation of PDQ is not difficult but does require that you are familiar with the parts and functions of an AR15. Take your time and remove only a small amount of metal at a time. If you feel you cannot install the PDQ yourself take it to a qualified gunsmith or armorer.



Before



After

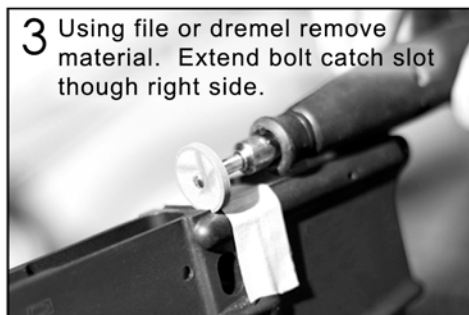
AR-15 Lower Receiver must be completely disassembled before beginning any work. Diagrams illustrate where metal will be removed for installation of PDQ Bolt Catch. Carefully file or dremel lower receiver until bolt catch slot continues through the right side of the receiver. Remove any excess metal behind the slot that will interfere with bolt catch operation.



1 Place lower in vise.



2 Use tape to create a guide.



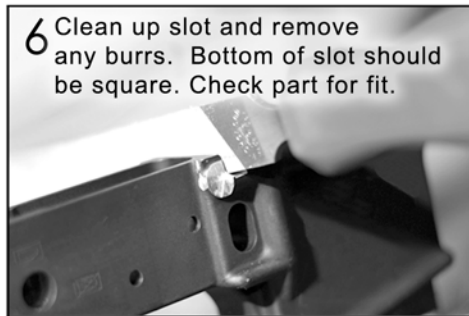
3 Using file or dremel remove material. Extend bolt catch slot though right side.



4 Mask around work area. Use dremel tool to remove excess material behind bolt catch.



5 After using dremel stop and work with a file and sand paper for a professional finish



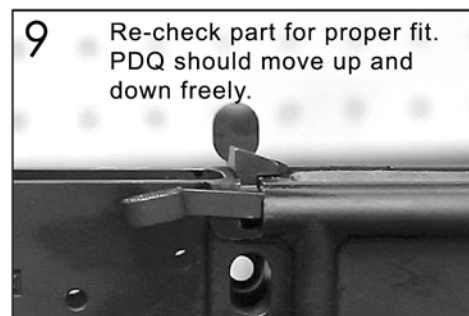
6 Clean up slot and remove any burrs. Bottom of slot should be square. Check part for fit.



7 Touch up metal using Aluminum Black



8 Inspect for burrs or imperfections. Check that slot is square.



9 Re-check part for proper fit. PDQ should move up and down freely.